

## Covert Camera In A Domestic Smoke Detector.

Monochrome models offering good response to Infra-red illumination.

Suitable for covert viewing onto staircases.

All models fitted with an internal microphone as standard for Audio monitoring.



Sensor	Interline CCD
Exposure Control	Electronic
Voltage	12V DC
AGC	Always on
Video Signal	Composite into 75Ω
Operating Temp.	-10 °C to +50 °C
Relative Humidity	85% Max. non-condensing
On-board Audio	Line-level output
Mass	150 grammes

**Connections**

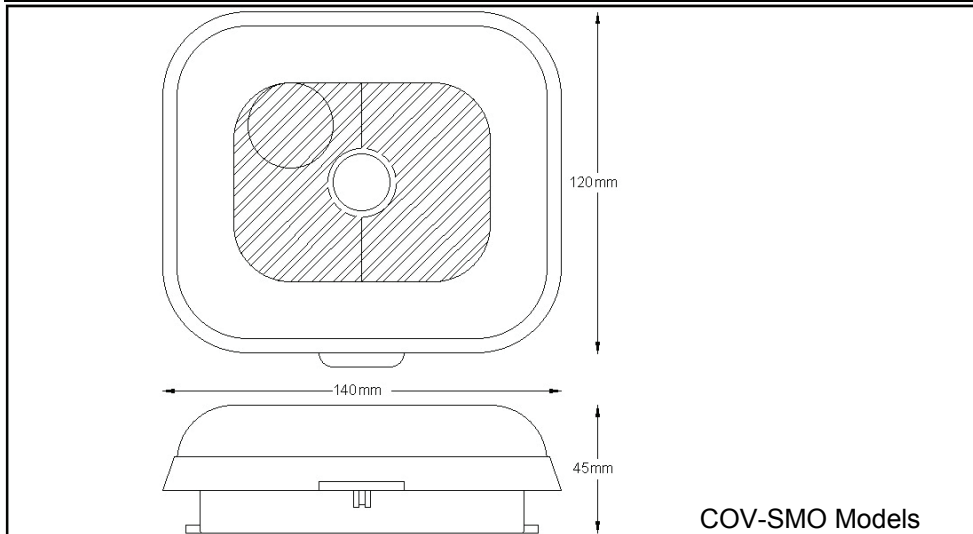
The camera is fitted with a four way lead for connection to video and power cables.

- RED – 12V DC power
- BLUE – 0V / Signal Ground (& Co-axial screen)
- YELLOW – Video signal (Co-axial core)
- GREY – Audio signal

Suitable screened cable should be used to achieve optimum video performance. The camera requires as regulated 12V DC power supply.

The Video and Audio signals use the 0V connection as Ground.

Mode	Sensor	Resolution	Sensitivity	Power	Feature	ORDER CODE
Monochrome	1/3" CCIR	380 TVL	0.2 Lux	100 mA		<b>COV-SMO-M</b>
Colour	1/3" PAL	330 TVL	0.8 Lux	140 mA		<b>COV-SMO-C</b>



**Lenses**  
Pinhole lens fitted is a 3.7 mm type.

The smoke detection mechanism operates from a single 9V PP3 battery (included) ~ Do not use the 12V camera supply

**Please note:** The positioning of the COV-SMO may be determined by the required view of the camera.

**If this is not the optimum location for smoke detection then this unit should not be relied on as a smoke alarm.**

COV-SMO Models