

P E C A N

Professional CCTV Products



D050C Range Compact Micro Dome Cameras Colour

- IP66 weatherproof exterior metal casing
- Ultra-low power consumption
- Discreet surveillance
- Easy installation on ceiling or wall
- Surface or flush mounted
- Standard and angled surface-mount adaptors
- Available in a variety of anodised colours*

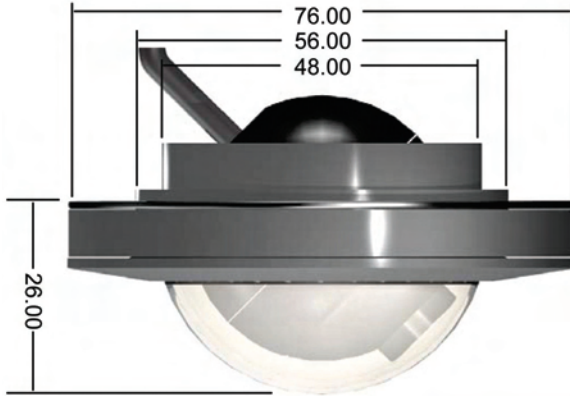
* Subject to manufacturer's minimum order quantities

APPLICATIONS

Pecan CCTV's DO50C(S) versatile micro domes are suitable for a wide variety of applications. In addition to offering transport companies e.g. bus and coach operators, road hauliers, emergency vehicles and plant and equipment drivers a secure solution they also provide a discreet option for the retail and leisure industries.

☎ 01279 419913
www.pecancctv.co.uk

D050C range
Dimensions (mm)



Mounting Adaptors

Surface mounting adaptor D050-SM raises the housing 20mm to allow for single cable hole (approximately 6mm).

Angled mounting adaptor D050-SMA adds approximately 15 degrees to the vertical/horizontal viewing angle allowing 90 x 360 pan and tilt.

Lens Shroud

A rubber lens shroud is supplied to disguise the lens position.

Technical data

Video output	Composite video 75 Ohms
Exposure control	Electronic
Lens*	3.6mm standard fixed type*
Operating temperature	-10 to +50°C
Relative humidity	85% max non-condensing
Voltage	12v DC (+8-+18v)
AGC	Always on
Housing	Internal and external
Weight	313g

* Other lens options available - please contact our sales team for further details

Mode	Colour
Sensor	1/3" PAL

Power connection

Power to the camera is supplied colour-coded flying leads. Red = 12v DC+. Black = 0v DC/Gnd.

Video

The video output lead is fitted with a female BNC connector for easy connection to a co-axial, or other, video cable. Center pin is for signal. Sleeve is ground level. The signal output is standard PAL composite video.

Order information

Resolution	Sensitivity	Power	Case	Code
330 TVL	0.4 Lux	56m A	Black	D050C
450 TVL	0.8 Lux	67m A	Black	D050CH
330 TVL	0.4 Lux	56m A	Silver	D050C(S)
450 TVL	0.8 Lux	67m A	Silver	D050CH(S)
330 TVL	0.4 Lux	56m A	Red/Green/Blue*	D050C(R/G/B)
450 TVL	0.8 Lux	67m A	Red/Green/Blue*	D050C(R/G/B)

Mounting adaptors

Standard	raised 20mm from surface	Black or (Silver)	D050-SM(S)
Angled	adds 15 degrees of tilt	Black or (Silver)	D050-SMA(S)
Standard	raised 20mm from surface	Red/Green/Blue*	D050-SM(R/G/B)
Angled	adds 15 degrees of tilt	Red/Green/Blue*	D050-SMA(R/G/B)

*Select colour using 'R', 'G' or 'B' in the order code e.g. D050CH(R) or D050-SMA(R)

We recommend the use of a 1000 mA power supply with this item PSU1210R

Whilst every effort has been made to ensure the accuracy of the information provided, no liability can be accepted for any errors or omissions. All dimensions are approximate. Stortech Electronics Ltd reserves the right to alter the specification and introduce changes without prior notice.

PECAN CCTV

Tel: 01279 419913 **Fax: 01279 419925**
Email: sales@pecancctv.co.uk **www.pecancctv.co.uk**