

Model: MCAM-C Series
Standard and High Resolution 12vDC



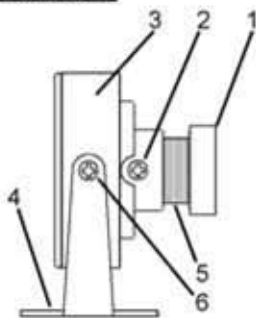
Features:

- All metal-cased miniature camera with standard fixed lens
- Available in black finish.
- Low power consumption.
- Easy installation on ceiling or wall

Cautions:

1. Please do not touch the CCD Sensor with your fingers. If necessary, use a soft cloth moistened with alcohol to wipe away the dust. When the camera is not in use, keep the lens cap attached to protect the CCD Sensor.
2. Please avoid placing or using the camera under direct sunlight, rain and high humidity environment.
3. Please ensure that the input voltage range is within the specifications.
4. Do not attempt to service the camera by yourself. Please refer all services to qualified Dealers.

Operation procedures:

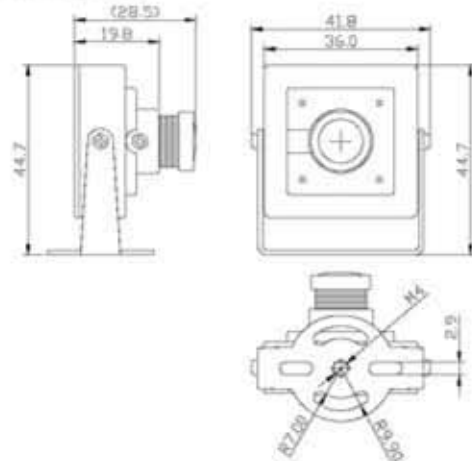


1. Remove the lens cap (1).
2. Attach the mounting bracket (4) to wall or ceiling, as required. Use the supplied screws to fix camera (3) in position ~ a firm mounting surface is essential for a stable installation.
3. Connect the camera as follows:
DC Jack = 12V DC \pm 10%
BNC Jack = VIDEO OUTPUT.
4. Adjust camera position by loosening the fixing screw (6). Adjust the focus sharpness of the lens (5) by loosening the focus-lock screw (2).
5. Re-tighten all fixing screws.

Packing list:

- | | |
|-----------------------|---|
| Camera | 1 |
| Instruction manual | 1 |
| M4 screw | 1 |
| M3 self tapping screw | 2 |
- Lens options are available by request

Dimensions:



Specifications:

Model	MCAM-C	MCAM-CH
Pick up Device	1/3" SONY Colour Super HAD II Low Lux CCD	
TV System	PAL	
Picture Elements	500Hx582V	
Horizontal Resolution	420 TVL	520 TVL
Sensitivity	0.05 Lux at F1.2	
Scanning System	625TVL/2:1 Interlace	
Synchronization	Internal	
Infrared Spectrum	N/A	
S/N Ratio	More Than 50 dB. (AGC Off)	
Auto Gain Control	Auto	
White Balance	Auto	
Electronic Shutter	Auto	
Back Light Compensation	Auto	
Video Output	1 Vp-p, 75 Ω Composite	
Gamma Ratio	0.45	
Lens	Standard f3.6mm fixed lens	
Lens Mount	M12 x P0.5mm thread	
Pan Adjusting	\pm 180 Degree	
Tilt Adjusting	0-90 Degree	
Power Supply	12V DC \pm 10%	
Power Consumption	90mA	
Dimensions	28.5 (L) x 44.7(H) x 41.8 (W) mm	
Net Weight	120 g	
Weatherproof	N/A	
Operating Temperature	-10°C to +50°C	

*Specifications are subject to change without prior notice.

- Input voltage exceeding the nominal rating by over \pm 10% will cause abnormal operation.