

Compact, True Day/Night Security Camera

- 400 TVL CCD
- OSD (On-Screen Display) feature
- Privacy Zone masking function
- Image Mirror and Flip Function
- Camera ID monitor display
- RS-232 and RS-485 programmable
- Automatic Lens mode selection
- C/CS-lens mount fitting
- Adjustable Shutter Speed



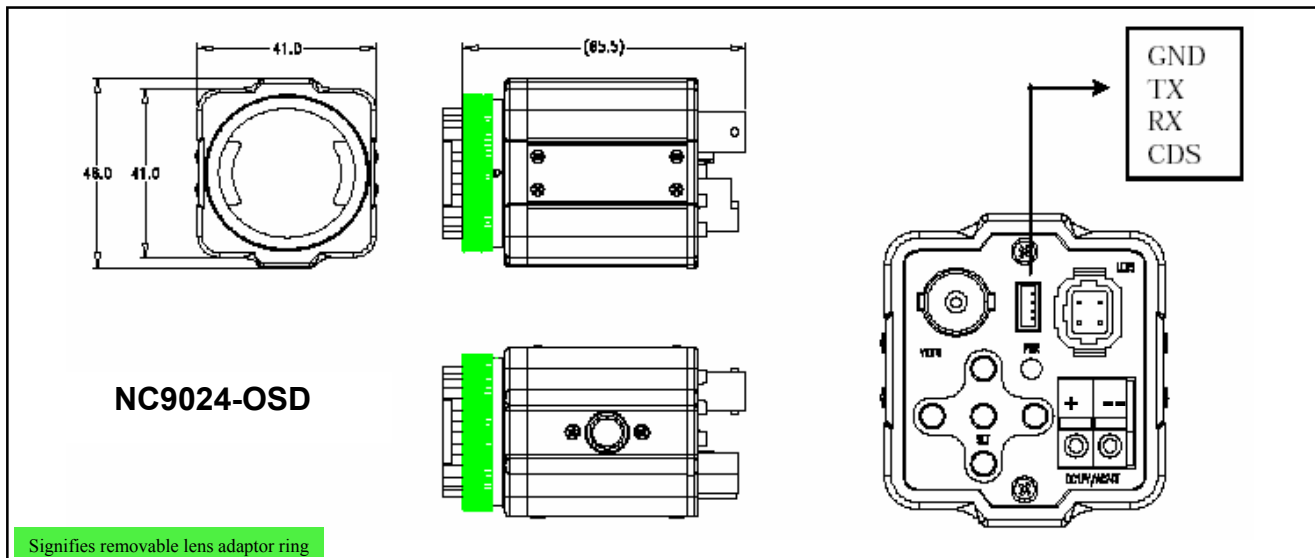
Camera body only.
Lens supplied separately

Sensor	1/3" CCD
Auto Exposure Mode	Electronic (1/80,000 s)
Voltage	12V DC, 200 mA
Synchronisation	Internal
Video Signal	Composite PAL - 75Ω
Operating Temp.	-10 °C to +55 °C
Relative Humidity	85% Max. non-condensing
Unit Mass (no lens)	200g
Housing	IP30 Internal use only

BNC video connector.
P-connector supplied for both DC and Video drive Auto-iris lenses
Lens mount for C and CS lenses including removable lens adaptor ring

Mode	Type	Resolution	Sensitivity	Power	ORDER CODE
Colour/ Mono	PAL	400 TVL	0.6/0.25 Lux f1.2	2.8W max @ DC12V/AC24V	NC9024-OSD

We recommend the use of our range of superior C/CS-mount lenses. Please call the Sales Office for details.



MAIN MENU

A. CAMERA ID

- ID : User can assign Camera ID (optional)
- Title : The text is input on screen
- Position : Setting the correct position by using Left-up, Right-up, Left-down and Right-down

B. LENS

- MANUAL: Manual lens brightness is adjusted in SUB MENU.
- DC: When using DC IRIS lens, brightness is adjusted with the DC Level screw on rear of camera.
- VIDEO: When using video-drive lens

C. BLC

- User can select BLC level and zone

D. SHUTTER

- For setting shutter speed—AUTO, or 1/60(1/50) - 1/100,000

E. FLC

- FLC ON: NTSC(1/60), PAL(1/50)

F. WB CONTROL

- AWB: Auto White Balance control
- ATW: Auto Trace White Balance
- MANUAL : Adjusting Blue Gain and Red Gain on Sub Menu
- PUSH LOCK: White balance locked with SET key

G. AGC CONTROL

- Adjustable from 0db(OFF) to 30db (Max)

H. SUB MENU

- Selecting Sub Menu

I. EXIT

- OUT : Exit from Menu
- SAVE & OUT : Exit from Menu after saving data
- RESET & SAVE & OUT : Exit from Menu after saving to Factory Default settings
- RETURN : Return to Menu

SUB MENU

A. DAY / NIGHT

- AUTO : Operating Colour mode when light level is high. Operating BW mode when light level is low. User adjustable switch point for this setting.
- COLOR : Colour mode only.
- B/W : BW mode only.
- Ext. CDS : Control Open= colour, +5v=B/W by using external signal in CDS Input pin

B. PRIVACY

- Black Square Masking of the area that users do not want to display on the monitor.
- Maximum 3 Black Square Masks are available.

C. SYNC

- AUTO : Automatically sensing Input voltage, DC or AC, and operating External or Internal.
- Internal : Operating Internal Sync.
- AUTO/EXT: Operating automatically by External Sync. Signal

D. DEFECT

- Any white defect caused by temp. change is repaired

MIRROR

- Left and right image reversal by ON/OFF switch

F. RETURN

- Return to Main menu from Sub menu.

DC LEVEL SETTING

PRIVACY

PRIVACY 1	OFF
PRIVACY 2	ON
PRIVACY 3	ON
ZONE 1	
ZONE 2	
ZONE 3	

- Privacy 1,2,3 has ON/OFF function. The masking area's size and location is adjustable From ZONE 1,2,3 Menu.

CAMERA ID EXAMPLE

TITLE	LOBBY 1
POSITION	LEFT-UP
RET	
ID - Adjustable from 001- 255	

TEXT

0123456789:<-.,ABCDEFGHIJ
KLMNOPQRSTUVWXYZ
↑↑↑↑↑↑↑↑
RET

- TITLE - up to 8 characters can be used
- POSITION - 4 controls: Left-up, Left-down, Right-up, Right-down

OSD MENU CONTROL

- Up/Down KEY - Menu Selection
- Left/Right KEY - Menu Feature adjustment
- ↓ On Menu Feature value - Submenu Existence
- Set KEY - Getting into Submenu

