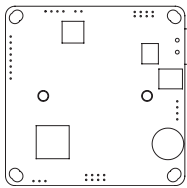
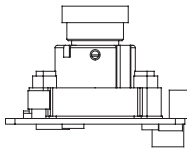
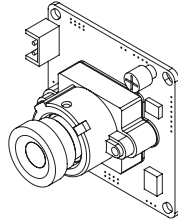
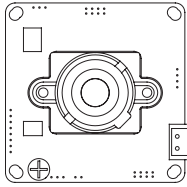


# PECAN

Professional CCTV Products



## CB65H Range High quality 38x38mm Single-layer Camera Colour & TDN

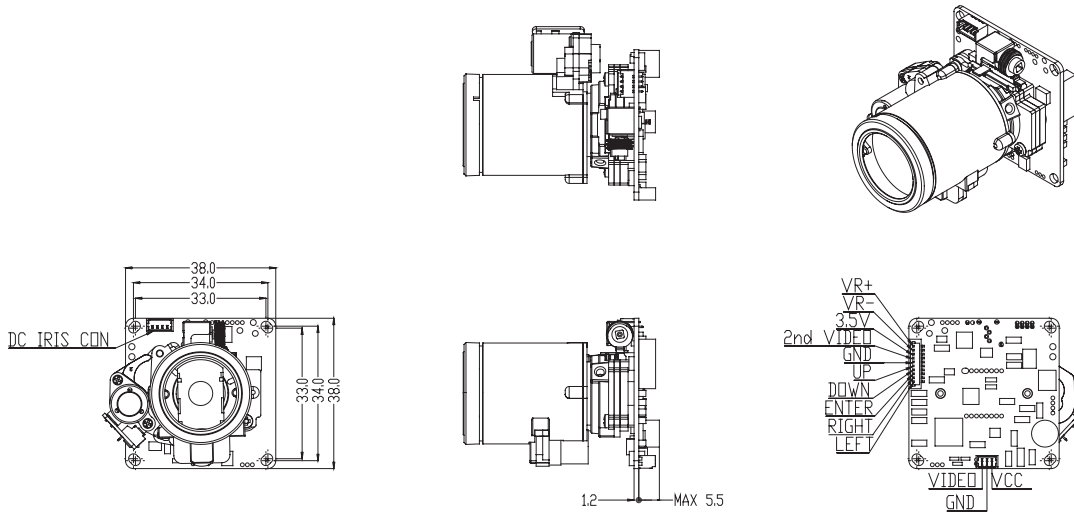
- Sony™ Super HAD CCD
- High resolution 520/570 TVL
- True Day & Night function option
- IR lamp synchronising option
- Second video output option for local set up
- Varifocal lens option
- On Screen Display (OSD) option
- Wide voltage input operation (8-18v)
- Pan focus lens option
- C,CS mount capability

### APPLICATIONS

Ideal for installation in bespoke camera housings. OEM applications.

☎ 01279 419913  
[www.pecancctv.co.uk](http://www.pecancctv.co.uk)

**CB65H**  
**Dimensions (mm)**



**Technical data**

Video output	Composite video 75 Ohms
Exposure control	Electronic
Lens	4-9mm Varifocal 3.6mm fixed/3.7 conical pinhole/CS-mount
Audio output	Line level
Operating temperature	-10 to +55°C
Voltage	8-18v DC
Weight	30g (without lens)
Dimension	38 x 38mm
Sensor	1/3" PAL
Resolution	520/570 TVL
Power	<130 mA

**Order information**

Mode	Resolution	Sensitivity	Features	Code
		<b>F1.2</b>		
Colour	520 TVL	0.6 Lux		CB65H
Auto	520/570 TVL	0.6-0.07 Lux	TDN	CB65HT
Colour	520 TVL	0.6 Lux	Varifocal Auto Iris lens	CB65HVAI
Auto	520/570 TVL	0.6-0.07 Lux	TDN VF Auto Iris lens	CB65HVAIT

We recommend the use of a 1000 mA power supply with this item PSU1210R

All cameras have an OSD option using a separate controller PCB (not shown). Simply add "-OSD" to the order code. E.g. CB65HVAI-OSD.

**STANDARD RESOLUTION VERSIONS ALSO AVAILABLE ON REQUEST.  
PLEASE CONTACT OUR SALES TEAM FOR FURTHER DETAILS.**

Whilst every effort has been made to ensure the accuracy of the information provided, no liability can be accepted for any errors or omissions. All dimensions are approximate. Stortech Electronics Ltd reserves the right to alter the specification and introduce changes without prior notice.

**PECAN CCTV**

**Tel: 01279 419913**      **Fax: 01279 419925**  
**Email: sales@pecancctv.co.uk**      **www.pecancctv.co.uk**