

PECAN

Professional CCTV Products



ViewBox **2-CH Digital Data Recorder** Video / Audio / GPS / 3D G-force

- Dual Camera (1.3 Mega Pixels / 2CH Display)
- Built-in GPS system with Google Maps support
- Built-in 3D G-Force Sensor
- 12~24vDC / 220~120mA powered from cigar lighter socket
- Emergency or Continuous Recording
- Internal Camera with IR LEDs and Audio function
- SD Memory Card
- PC-Viewer software included

APPLICATIONS

Suitable for many mobile vehicle applications, ViewBox will allow discreet recording of forward view and optional internal view of driver and passenger compartment. Adding significant safety and security while offering a personal archive of any road trip

☎ 01279 419913
www.pecancctv.com



Unit fitted to windscreen in front of rear-view mirror

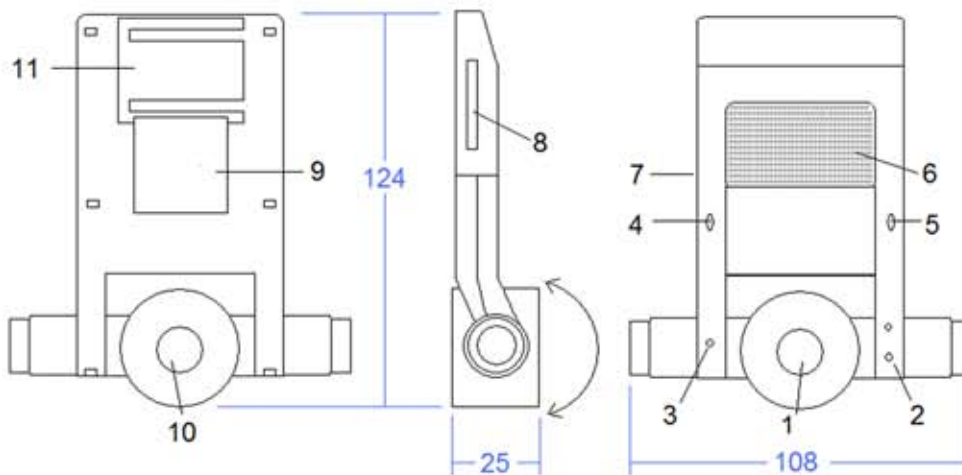


GPS Google map image as shown on viewer software screen



Software interface actual screenshot

Dimensions (mm)



Legend

1. Internal Camera	Records images of vehicle interior
2. Volume Control	Adjusts volume of voice instruction
3. Mode selection	Channel selection switch (Ch1 on/off)
4. Power LED	Indicates power ON
5. Activity LED	Indicates activity status
6. Speaker	Voice instruction
7. Power jack	External power connection point
8. SD card slot	Stores recorded data to SD-card
9. GPS module	Receives satellite location data
10. Forward Camera	Records view through vehicle windscreen
11. Bracket slot	For mounting unit to vehicle

Specification

2-Camera	1.3M pixel CMOS digital sensor
GPS	Internal GPS module
G-sensor	Internal 3D G-sensor
Storage	SD-card
Power Consumption	220mA/120mA
Weight	93g
Size mm (WxLxH)	124 x 108 x 25
Operating Temperature	-10°C~ +70°C
Voice Record	Internal mic
Event Record	on shock or impact
Resolution	640 x 480 24fps
Power supply	12/24vDC

Order information

2-channel Mobile Digital Data Recorder

Kit includes 2GB SD-card w/embedded software, card reader, cigar socket power cable, mounting accessories, User Guide

Code
VewBox

Whilst every effort has been made to ensure the accuracy of the information provided, no liability can be accepted for any errors or omissions. All dimensions are approximate. Stortech Electronics Ltd reserves the right to alter the specification and introduce changes without prior notice.

PECAN CCTV

Tel: 01279 419913

Email: sales@pecancctv.com

Fax: 01279 419925

www.pecancctv.com