

P E C A N

Professional CCTV Products



VRC190L **Vandal-resistant Corner Mount Camera** Colour/Mono with IR LEDs

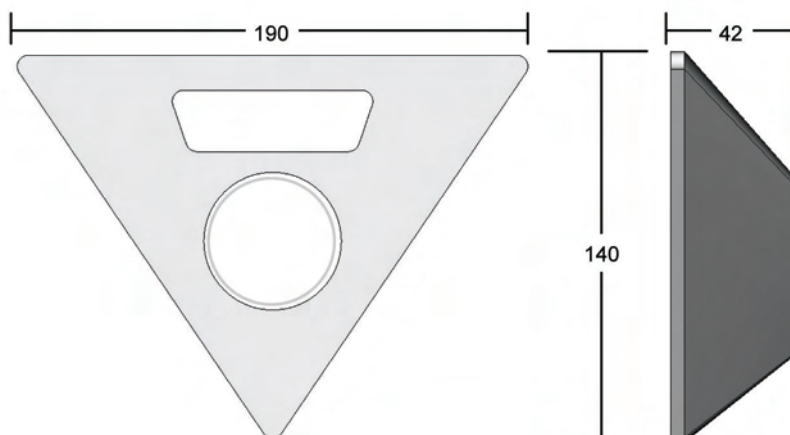
- 1/3" Sony Super HAD CCD
- 550/590 TVL resolution
- 850nm IR LEDs for low-light surveillance 5-10m range
- Digital Noise Reduction (DNR)
- One-way audio function
- Simple plug and play operation
- Vandal-resistant brushed aluminium case
- Tamper-proof screws
- 12v DC operation

APPLICATIONS

Ideal for installation in lifts, stairwells, holding cells. Leaves no corner uncovered.

☎ 01279 419913
www.pecancctv.co.uk

VRC190L Dimensions (mm)



Technical data

Video output	Composite video 75 Ohms
Exposure control	Electronic
Lens	3mm fixed
Audio output*	Line level
Operating temperature	-10 to +55°C
Weight	395g

*Impedance: Max 2.2kOhm. S/N ratio: More than 58dB. Sensitivity: -48dB

Mode	Colour/Mono
Sensor	1/3" CCD
Resolution	550/590TVL
Sensitivity IR on/off	0.1/0.002 Lux @ F1.4
Power IR on/off	110/240 mA

For critical viewing applications additional illumination may be required.

A flying lead is fitted comprising:-

Red in-line jack	=	12v DC
Yellow BNC female	=	Video signal
White RCA phono female	=	Audio signal

Order information

	Code
Vandal-resistant corner mount colour/mono camera	VRC190L

We recommend the use of a 1000 mA power supply with this item PSU1210R

Whilst every effort has been made to ensure the accuracy of the information provided, no liability can be accepted for any errors or omissions. All dimensions are approximate. Stortech Electronics Ltd reserves the right to alter the specification and introduce changes without prior notice.

PECAN CCTV

Tel: 01279 419913

Email: sales@pecancctv.co.uk

Fax: 01279 419925

www.pecancctv.co.uk