

**P E C A N**

**Professional CCTV Products**



**VRD105CMHVAI**  
**Vandal-resistant Compact Dome Camera**  
Colour/Mono

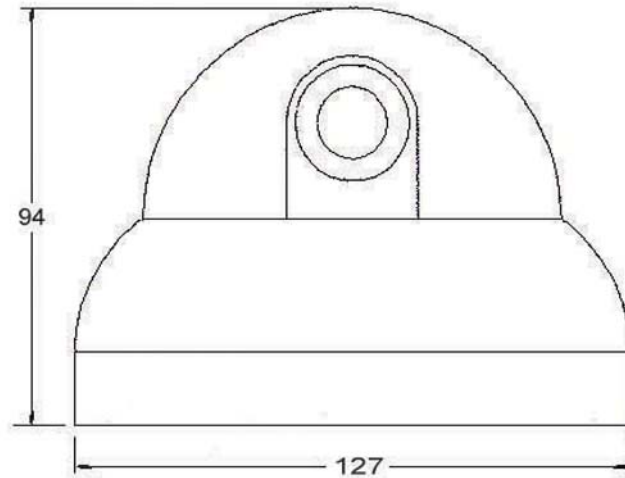
- 1/3" Sony Super HAD CCD
- High resolution 550/590 TVL
- IP66 weatherproof housing
- Cast aluminium vandal-resistant enclosure
- 4-9mm varifocal DD auto iris lens
- OSD (On Screen Display) controls
- 3 axis gimble (360° pan, 75° tilt)
- 12v DC low power consumption

**APPLICATIONS**

Ideal for installation in any interior or exterior location. Compact design with advanced vandal-resistant properties.

**☎ 01279 419913**  
**[www.pecancctv.co.uk](http://www.pecancctv.co.uk)**

**VRD105CMHVAI**  
**Dimensions (mm)**



**Technical data**

Video signal	Composite video 75 Ohms
Exposure control	Electronic
Lens	4-9mm Varifocal Direct Drive lens
Operating temperature	-10 to +55°C
Voltage	12v DC
Weight	420g
Mode	Colour/Mono
Sensor	1/3" PAL
Resolution	550/590 TVL
Sensitivity	0.1 Lux/ F1.2
Power	120 mA

**Power connections**

The VRD105CMHVAI is supplied fitted with a flying lead.  
Yellow BNC = video signal. Black inline jack = 12v DC.

**Order information**

	<b>Code</b>
Vandal-resistant colour/mono dome camera	VRD105CMHVAI

We recommend the use of a 1000 mA power supply with this item PSU1210R

Whilst every effort has been made to ensure the accuracy of the information provided, no liability can be accepted for any errors or omissions. All dimensions are approximate. Stortech Electronics Ltd reserves the right to alter the specification and introduce changes without prior notice.

**PECAN CCTV**  
**Tel: 01279 419913** **Fax: 01279 419925**  
**Email: sales@pecancctv.co.uk** **www.pecancctv.co.uk**