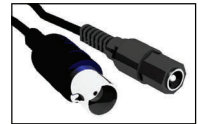


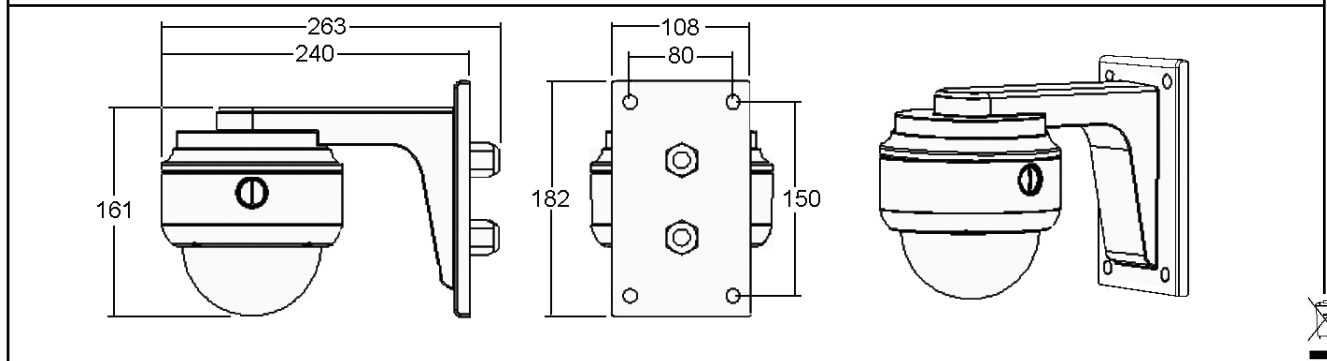
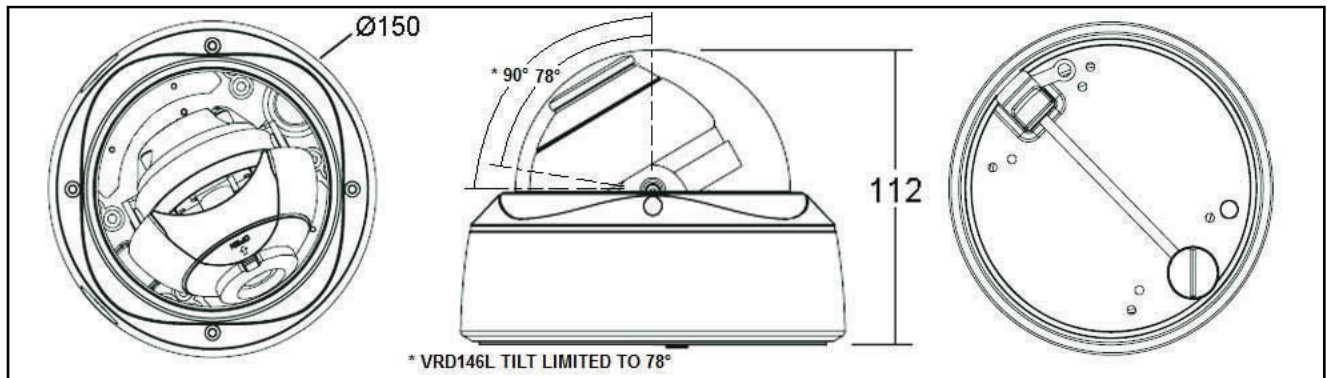
IP66 Vandal-Resistant Dome Camera w/OSD technology and IRLED (option)

- 1/3" Sony® Super HAD II CCD
- High Resolution - 600TVL
- OSD Joystick controls
- Digital Noise Reduction (2DNR)
- Dual Voltage 12vDC/24vAC
- 2.8-11mm F1.4 DC Iris Lens
- TDN Filter-Change (ICR)
- Digital Wide Dynamic Range (DWDR)
- Backlight and Highlight Compensation (BLC/HLC/OFF)
- Alternative internal User Cable Connectivity
- 3-Axis Camera adjustment
- Privacy function (8-Zone)
- Motion Detection (4-Zone)
- IR range of 10-15m (option)*

* Some critical applications may require additional lighting



Mode	Sensor	Resolution	Sensitivity	Power	Features	ORDER CODE
Colour/Mono	1/3" CCD	600TVL	0.02/0.002 Lux	12vDC/24vAC	OSD controls	VRD146
Colour/Mono	1/3" CCD	600TVL	0 Lux (IR on)	12vDC/24vAC	OSD controls / IRLEDs	VRD146L
Wall mount bracket						VRD146WBKT

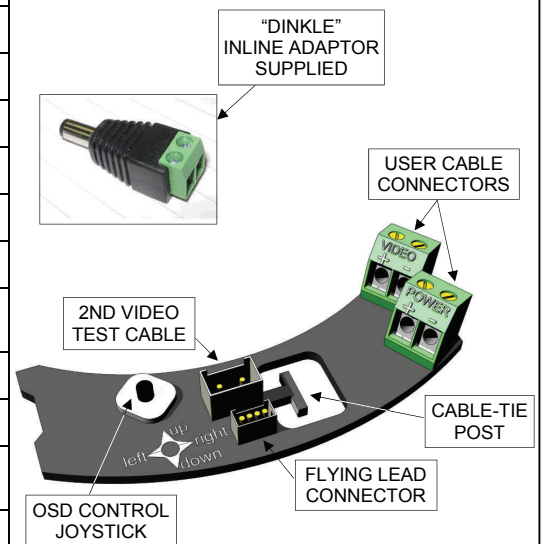


SPECIFICATION

Model	VRD146	VRD146L
Pick-up device	1/3" SONY Super HAD II CCD	
Effective pixels	NTSC: 768x494, PAL: 752x582	
Resolution	600TVL	
Min. illumination	Colour: 0.02Lux/F1.2; B/W: 0.002Lux/F1.2	0Lux(IR on)
Sync system	Internal	
Scan system	2:1 interlace	
S/N ratio	> 50dB	
DC/ICR Lens	2.8-11mm DC Auto Iris Lens (auto ICR)	
Electronic shutter	Auto/Anti-flicker/Manual	
IR distance	n/a	10-15m (18 x Ø5mm IR LEDs)
Water Resistance	IP66	
BLC	HLC/BLC/OFF	
White balance	ATW1/ATW2/MANUAL/FIXED	
D-WDR	OFF/ON (0~63 level adjustable)	
2DNR	OFF/ON	
Day & Night	Auto/BW/Colour/EXT	
Motion detection	Off/On (4 zones)	
Privacy zones	Off/On (8 zones)	
Mirror function	Off/On (horizontal mirror)	
Image adjustment	Contrast, Sharpness, Saturation	
AGC	High/Mid/Low/Off	
Gamma	0.45/Custom (0.05-1.0)	
Display mode	CRT / LCD / USER	
OSD menu	English/Simplified Chinese	
Other	Lightning-resistant, Vandal-resistant, 3-axis internal	
Video output	1.0v p-p Composite Video Output, 75 Ohm	
Power supply	12vDC/24vAC	
Power (max)	200mA/12vDC 4.8W/24vAC	300mA/12vDC (IR on) 5.6W/24vAC (IR on)
Operation temp	-20°C ~ 50°C	
Weight	1120g	



Squeeze the camera shroud to release the entire gimble assembly from its cradle. This enables easy adjustment of Focus and Zoom controls (x) when camera is mounted.



OSD Controller

Press on JOYSTICK to access main menu. Use this button to enter or to select menu options.

Swing UP and DOWN to move vertically and between menus and options.

Swing LEFT and RIGHT to move horizontally and between menus and options.

CAUTION

When using the supplied FLYING LEAD ensure the Molex® connector is correctly aligned

Severe damage to camera will result from incorrect insertion.

