

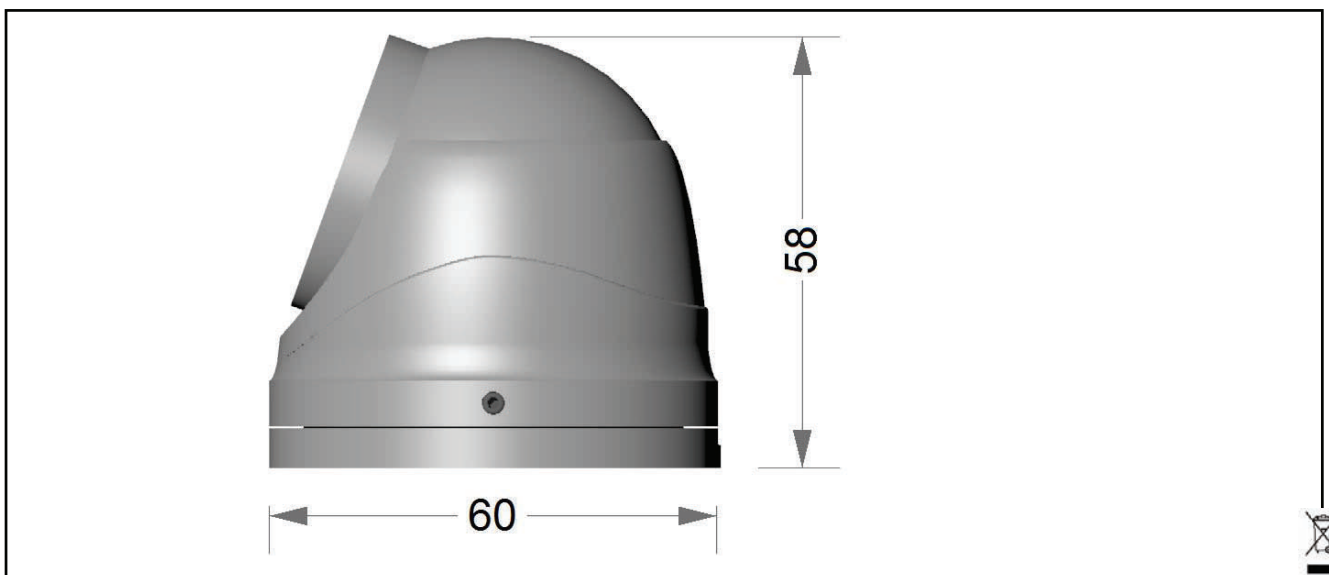
**Vandal-Resistant Micro-Eyeball
IR Dome Camera**

- 1/3" Sony Super HAD II CCD
- 480TVL Resolution
- 6 IR LEDs for 3-5m night-time coverage
- Full 3-axis adjustment for any surface
- Cast Aluminium Housing
- IP66 Weather-Resistance
- 12vDC Operation
- 200/320mA Low Power Consumption (IR off/on)



* Some critical applications may require additional lighting

Mode	Sensor	Resolution	Sensitivity	Power	Features	ORDER CODE
Colour/ Mono	1/3" CCD	480TVI	0 lux IR on	200/320mA LEDs OFF/ON		VRD59CML



Specification

Model	VRD59CML	
Pick up Device	1/3" Sony Super HAD II CCD	
Total Pixels	PAL: 500(H) x 582(V)	NTSC: 510(H) x 492(V)
Sensing area	4.9mm x 3.7mm	
Scanning system	2:1 Interlaced	
Sync. System	Internal	
Resolution	480TVL	
Lens	2.8mm, 3.6mm optional	
White balance	Auto ATW	
AGC	Auto	
Day & Night	Auto	
S/N ratio	>50dB	
Electronic shutter	Auto	
Video output	1.0v p-p Composite video output, 75Ω	
Min. illumination	0 lux (IR on)	
Power source	12vDC±10%	
Current consumption	200mA (IR off), 320mA (IR on)	
IR LED	6 x Ø5mm LEDs (850nm)	
IR distance	Up to 5m (total darkness)	
IR illumination	0 lux LEDs on	
Operating temp.	-20° ~ +50°C	
Dimensions	Ø60mm x 58mm (H)	
Weight	170g	

